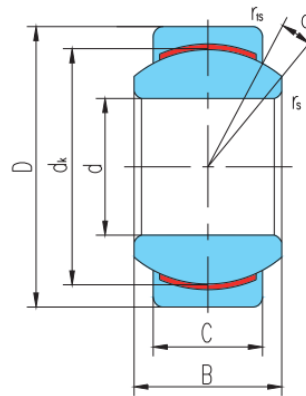


# GEBJ..C



滑动摩擦副: 钢 / PTFE 复合材料  
Sliding contact surfaces: Steel / PTFE composite material



select	Inquiry	Bearing number	Overall dimension [mm]								Rated load [kN]		Weight kg
			d	D	B	C	d <sub>k</sub>	r <sub>s</sub> min	r <sub>1s</sub> min	a°	live load	Static load	
GEBJ5C	5	13	8	6	11.112	0.3	0.3	13	6	15	0.006		
GEBJ6C	6	16	9	6.75	12.7	0.3	0.3	13	7.7	19	0.010		
GEBJ8C	8	19	12	9	15.88	0.3	0.3	13	13	32	0.018		
GEBJ10C	10	22	14	10.5	19.05	0.3	0.6	13	18	45	0.027		
GEBJ12C	12	26	16	12	22.23	0.3	0.6	13	24	60	0.043		
GEBJ14C	14	28	19	13.5	25.4	0.3	0.6	15	31	77	0.055		
GEBJ16C	16	32	21	15	28.58	0.3	0.6	15	38	96	0.081		
GEBJ18C	18	35	23	16.5	31.75	0.6	0.6	15	47	117	0.103		
GEBJ20C	20	40	25	18	34.93	0.6	0.6	15	56	141	0.149		
GEBJ22C	22	42	28	20	38.1	0.6	0.6	15	68	171	0.176		
GEBJ25C	25	47	31	22	42.86	0.6	0.6	15	84	212	0.242		
GEBJ30C	30	55	37	25	50.8	0.6	0.6	15	113	283	0.378		