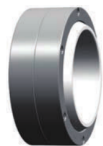
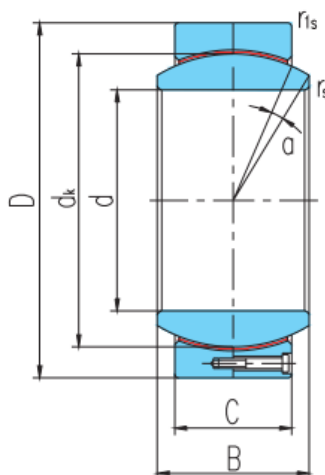


# GEC...HT



滑动摩擦副：钢 / PTFE 编织物  
Sliding contact surfaces: Steel / PTFE fabric



select	Inquiry	Bearing number	Overall dimension [mm]							Rated load [kN]		Weight kg
			d	D	B	C	dk	rs min	r1s min	a°	live load	
GEC320HT	320	440	160	135	380	1.1	3	4	9230	18460	78	
GEC340HT	340	460	160	135	400	1.1	3	3	9720	19440	83	
GEC360HT	360	480	160	135	420	1.1	3	3	10200	20400	87	
GEC380HT	380	520	190	160	450	1.5	4	4	12960	25920	129	
GEC400HT	400	540	190	160	470	1.5	4	3	13530	27060	135	
GEC420HT	420	560	190	160	490	1.5	4	3	14110	28220	141	
GEC440HT	440	600	218	185	520	1.5	4	3	17310	34620	196	
GEC460HT	460	620	218	185	540	1.5	4	3	17980	35960	204	
GEC480HT	480	650	230	195	565	2	5	3	19830	39660	239	
GEC500HT	500	670	230	195	585	2	5	3	20530	41060	248	
GEC530HT	530	710	243	205	620	2	5	3	22870	45740	294	
GEC560HT	560	750	258	215	655	2	5	4	25340	50680	345	
GEC600HT	600	800	272	230	700	2	5	3	28980	57960	413	